

# RF TEST ENCLOSURE

## RT-2330

## DATA SHEET



## 1. Main features

RT-2330 RF Test Enclosure supports broad band testing frequency and provides optimal testing condition to test mobile device.

- Outstanding durability
- Convenient use and maintenance.
- Supports 2x I/O interface panel (IA-series)
- High performance RF absorber on inside walls
- High shielding effectiveness using double layer gasket structure.
- Reliable test result and repeatability
- Fixture mounting holes in the top, bottom and side walls

## 2 . Product specification

	W (mm)	D (mm)	H (mm)
Outer Size (Closed)	517	634	444
Outer Size (Opened)	517	1019	444
Inner Size	457	480	358
Weight	Approx. 37 Kg		
Packing Size	595	805	625
Packing Weight	Approx. 44 Kg		
Interface	I/O Panel : IA-Series		

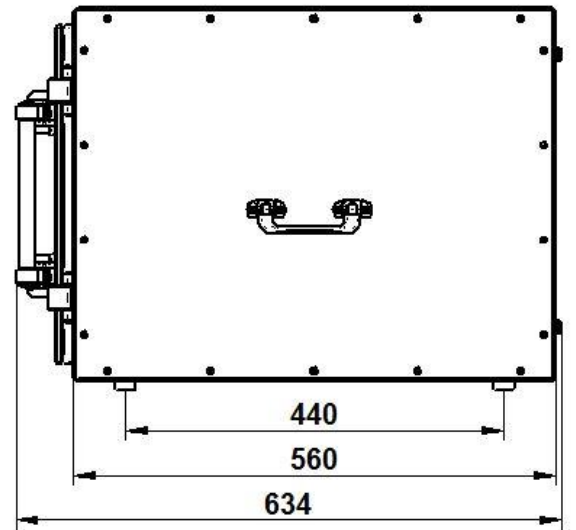
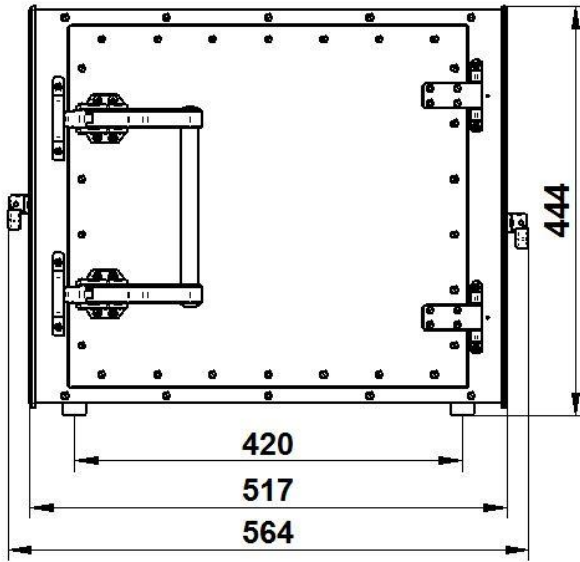
### Shielding effectiveness

Frequency – Unit : MHz	Shielding effectiveness – Unit : dB
100-3000	>80
3000-6000	>70
6000-18000 (optional)	>70

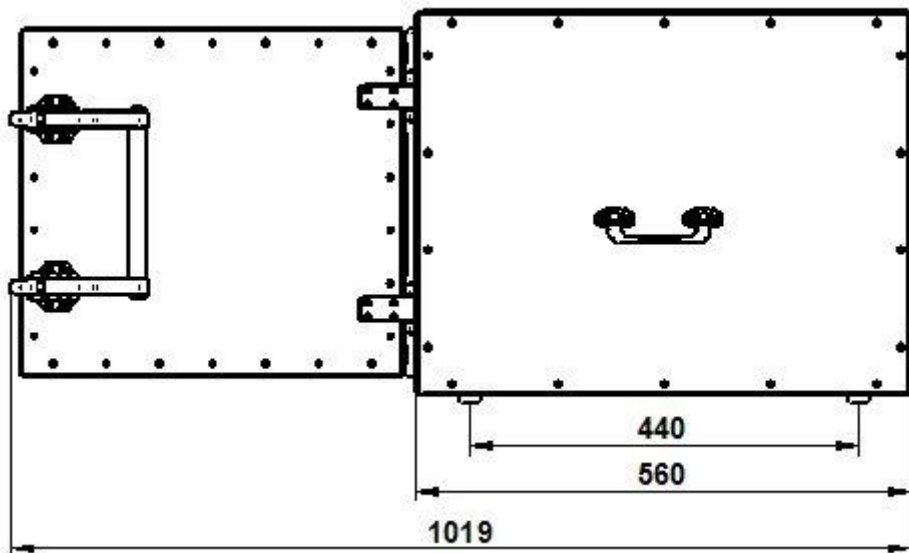
\*The shielding effectiveness in the above is measured when the blank I/O panel is attached.\*

3. Dimensions

Outside Dimensions

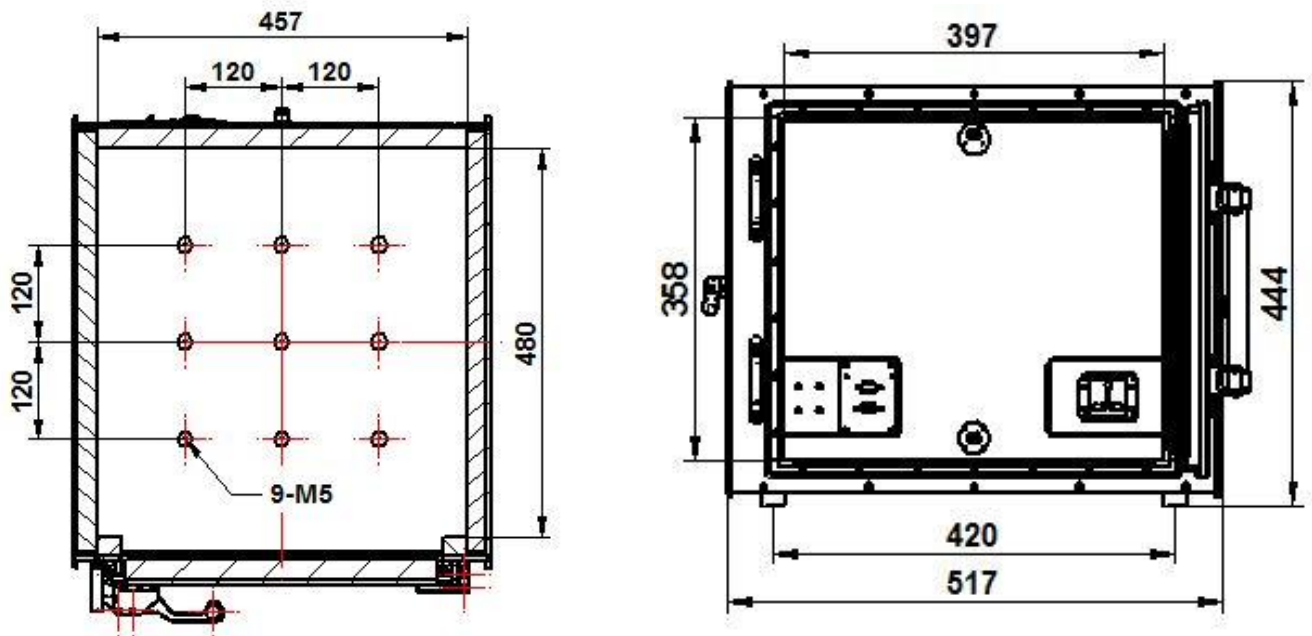


CLOSED



OPENED

Inside Dimensions



***Roottek.co.kr***

*TEL: +82-70-5138-0370*

*FAX: +82-31-927-9201*

*e-mail: roottek@roottek.co.kr*

\*\* Specification of chamber can be updated without prior notice \*\*