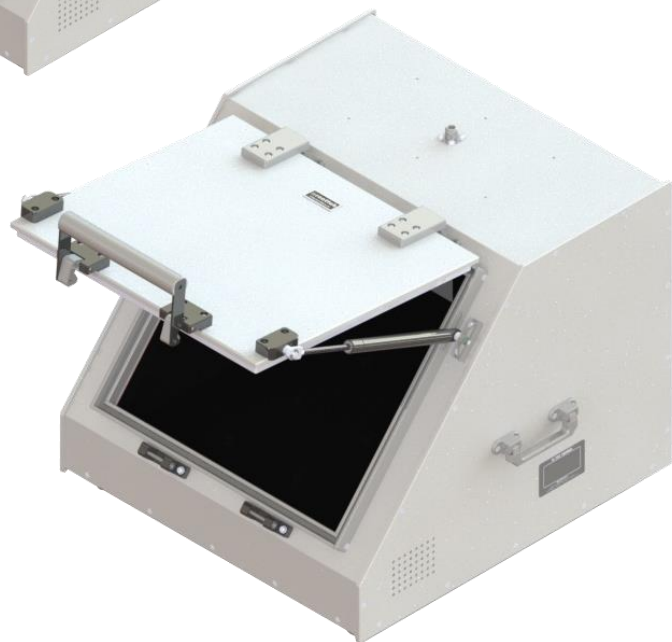


RF TEST ENCLOSURE

RT-3130

DATA SHEET



1. Main features

RT-3130 RF Test Enclosure supports broad band testing frequency and provides optimal testing condition to test mobile device.

- Outstanding durability
- Convenient use and maintenance.
- Supports 2x I/O interface panel (IA-series)
- High performance RF absorber on inside walls
- High shielding effectiveness using double layer gasket structure.
- Reliable test result and repeatability
- Fixture mounting holes in the top, bottom and side walls

2 . Product specification

	W (mm)	D (mm)	H (mm)
Outer Size (Closed)	574	607	451
Outer Size (Opened)	574	629	755
Inner Size	467	498	358
Weight	Approx. 28 Kg		
Packing Size	595	805	625
Packing Weight	Approx. 35 Kg		
Interface	I/O Panel : IA-Series		

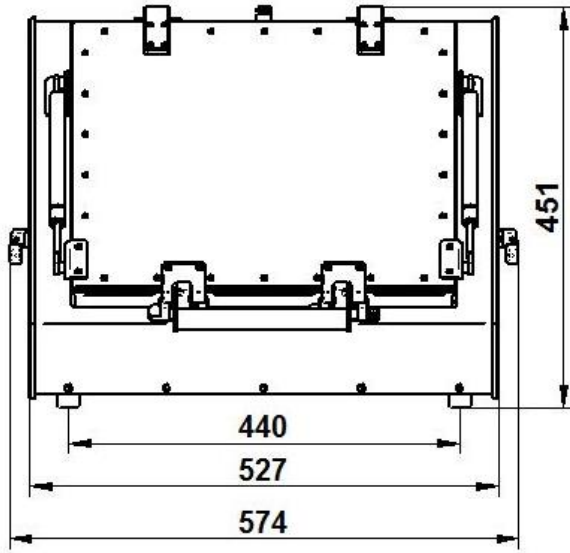
Shielding effectiveness

Frequency – Unit : MHz	Shielding effectiveness – Unit : dB
100-3000	>80
3000-6000	>70
6000-18000 (optional)	>70

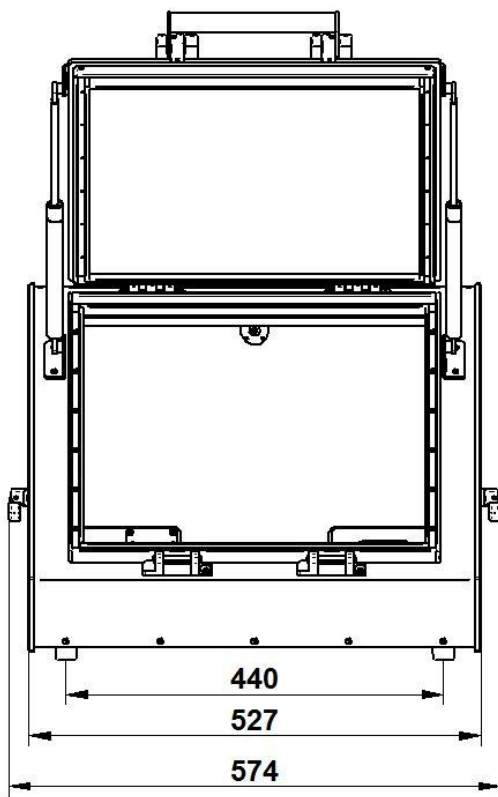
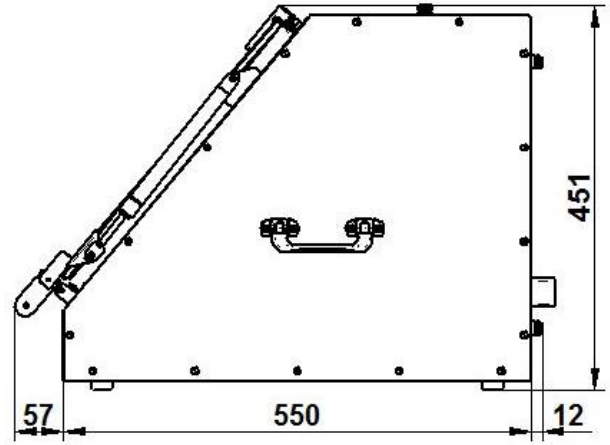
The shielding effectiveness in the above is measured when the blank I/O panel is attached.

3. Dimensions

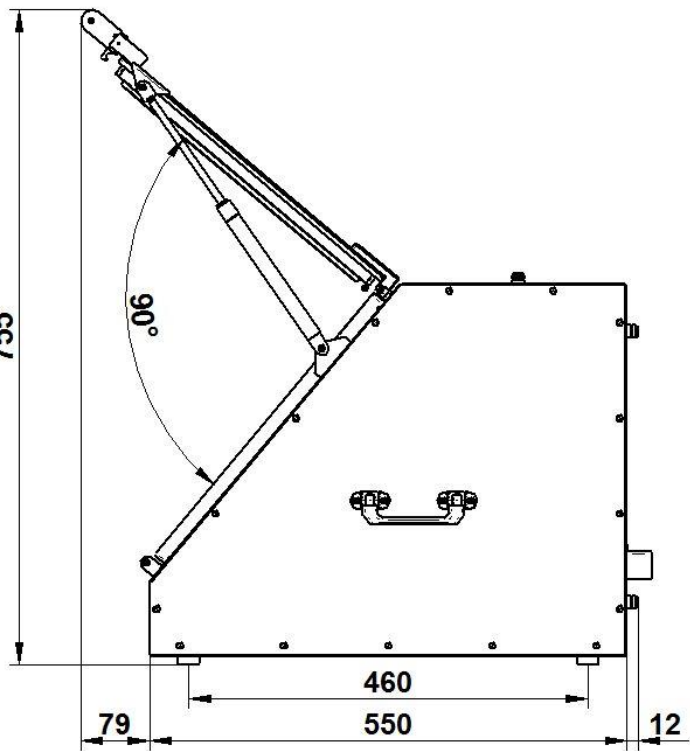
Outside Dimensions



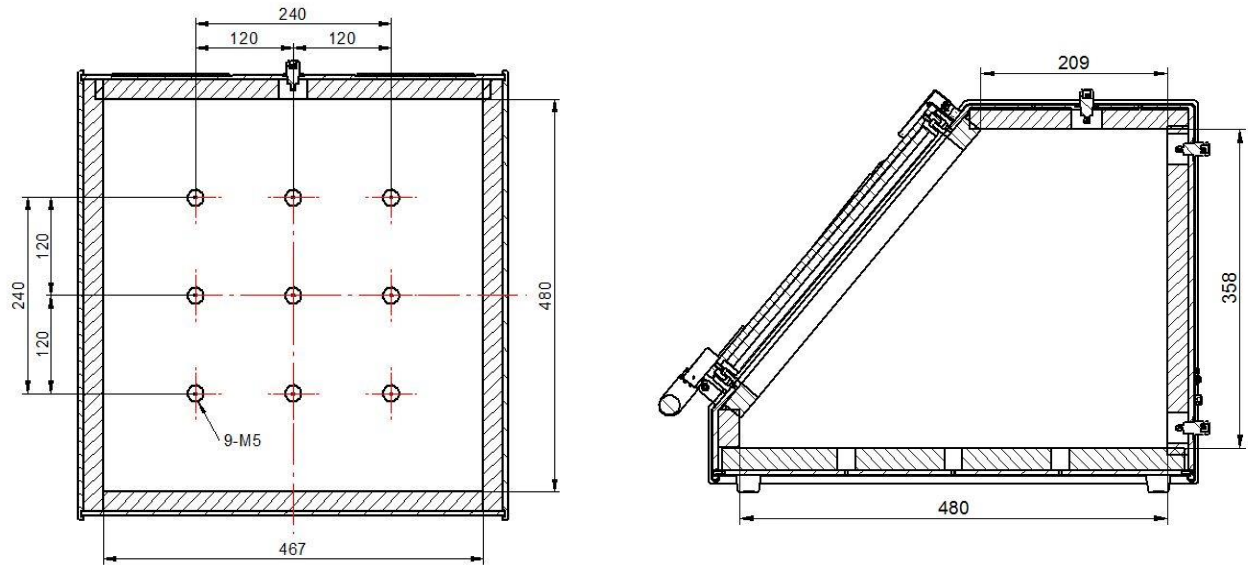
CLOSED



OPENED



Inside Dimensions



Roottek.co.kr

TEL: +82-70-5138-0370

FAX: +82-31-927-9201

e-mail: roottek@roottek.co.kr

** Specification of chamber can be updated without prior notice **