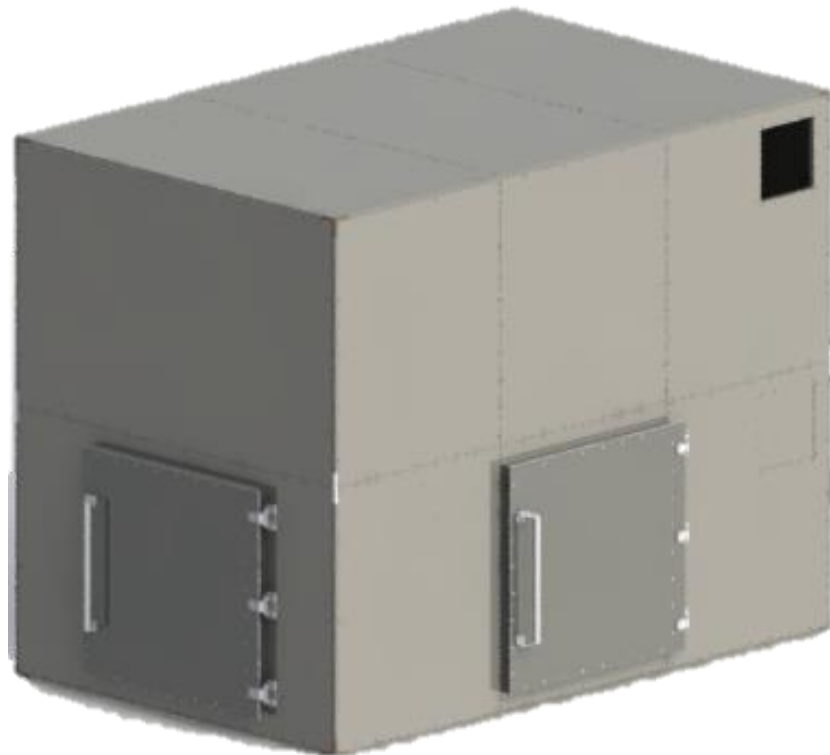


**Customizable & Movable**

**OTA chamber**

**DATA SHEET**



# Contents

1. Product Features	p.03
2. Product Specifications	p.03
3. Product Photos	p.04
4. Optional 3D positioner	p.05
5. Antenna testing program	p.06
6. optional antennas	p.07

## 1. Product Features

The OTA chamber is configured to provide an optimal environment for measuring wireless antenna performance, and has the following characteristics:

- Customer-specific movable chamber
  - ⇒ Can be customized in various sizes based on customer needs
  - ⇒ Optional operating frequency (0.5~6GHz, optional 6~40GHz/70GHz)
- Excellent durability, convenient use and easy maintenance
- Various I/O interface panels and Antenna interface panels
  - ⇒ Optional antenna (RTA-H400K, RTA-H600V)
- High-performance RF Absorber applied to all internal walls
  - ⇒ EPP type pyramid absorber + flat layered absorber
- Optional 3D positioner (rotator) & Antenna testing program

## 2. Product Specifications

	Width	Depth	Height
Chamber Outer Size	Max 2m	Max 2.5m	Max 2m
3D positioner size	516	476	557 (can be modified)
3D positioner weight/DC	Approx. 20 Kg / DC 24V		
3D positioner control	RS-232C		
Basic IO Interface	1xRF for measurement antenna, 1xUSB3.0 for positioner control, 1xDC to supply power, 1x DB9 for data interface		

### Shielding Effectiveness

Frequency – Unit : GHz	Shielding effectiveness – Unit : dB
0.5 - 8	>80
8 - 40(optional)	>70
40~67 (optional)	>60

\*\*The shielding effectiveness measured above is tested with blank I/O panel\*\*

### 3. Product Photos

#### 1) Horizontal products



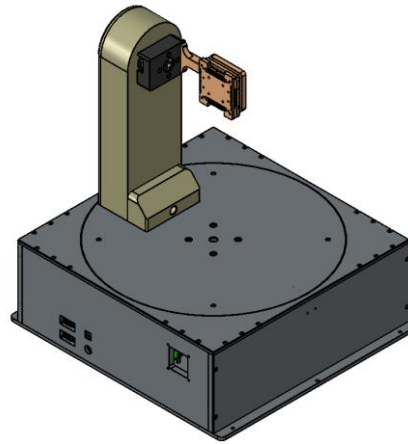
#### 2) Vertical products



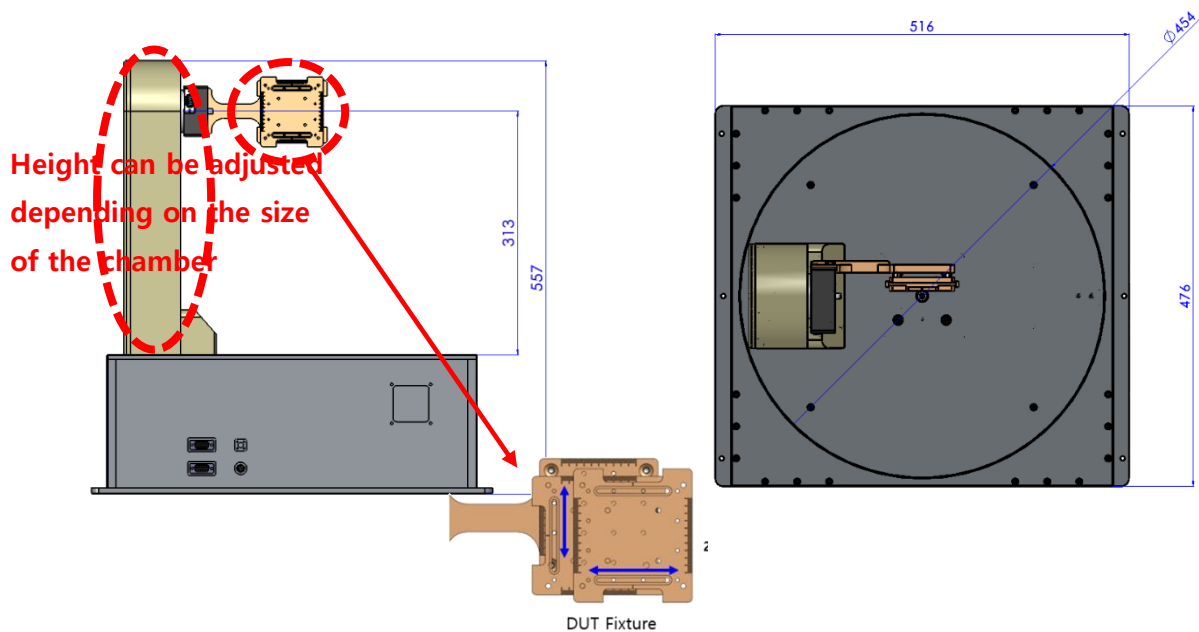
## 4. 3D positioner

**Product Features**

- 2 axis rotation (Elevation, Azimuth)
- Flexible frequency (optional)
  - a. 500MHz to 40GHz - basic
  - b. 500MHz to 67GHz
    - option RTR-9000-a
- 2x RF Rotary joint
- movable DUT holder

**RTR-9000**

**Specification**

Parameter	Value	Parameter	Description
Frequency	Dependant on RF rotary joint	Wight	Approx. 20Kg
Dimension	516mm(W) X 476mm(D) X 557mm (H)	DUT fixture	Optional 2 axis guide
Control	RS-232C	Data interface	D-sub 9
Power	DC 24V	Resolution	1°

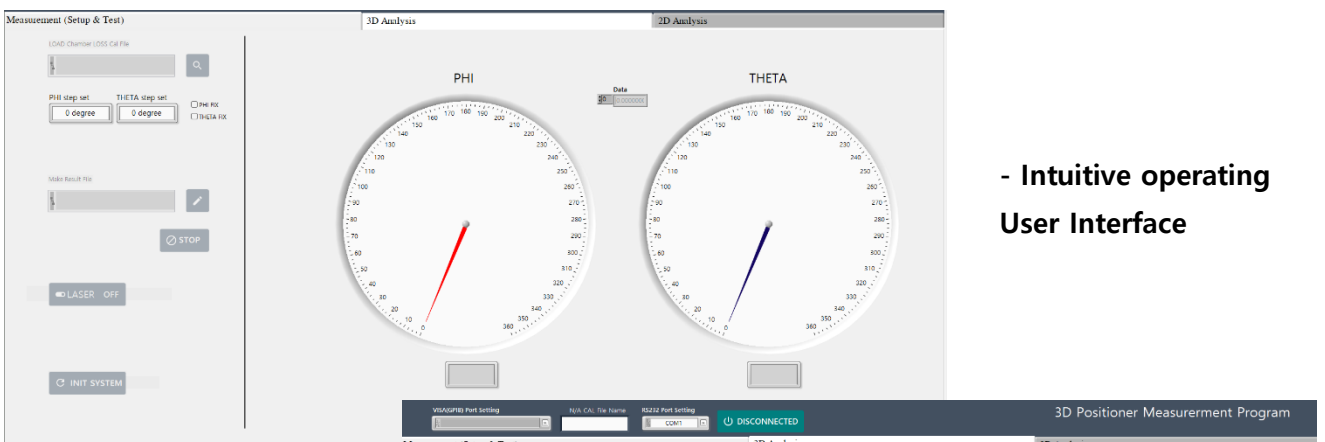
**Photos (dimension)**


5. Antenna testing program

### Product Features

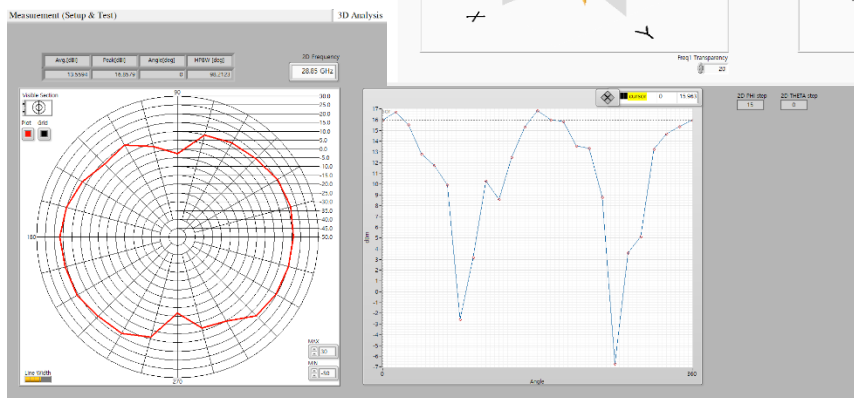
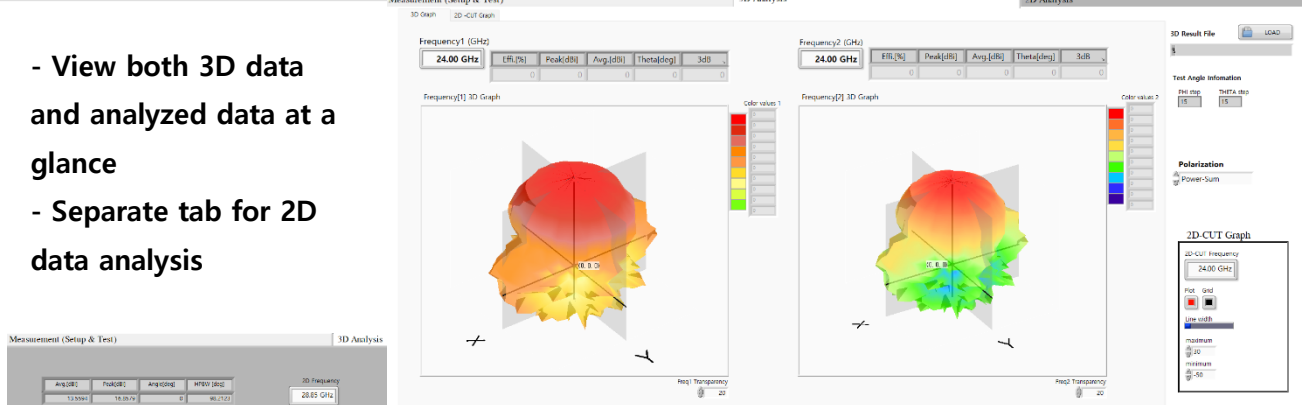
- Supports full 3D antenna pattern testing
- Quick results derived from independent 2D pattern test
- Provides following data analysis:
  - a. Antenna efficiency
  - b. Peak power, AVG power, 3dB BW
- Analysis tool with existing data (operates without connecting to the OTA chamber)

### Photos



- Intuitive operating User Interface

- View both 3D data and analyzed data at a glance
- Separate tab for 2D data analysis

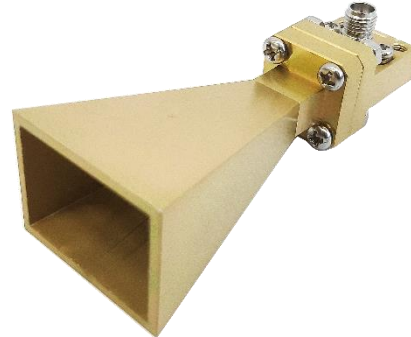


Independent 2D testing for quick analysis

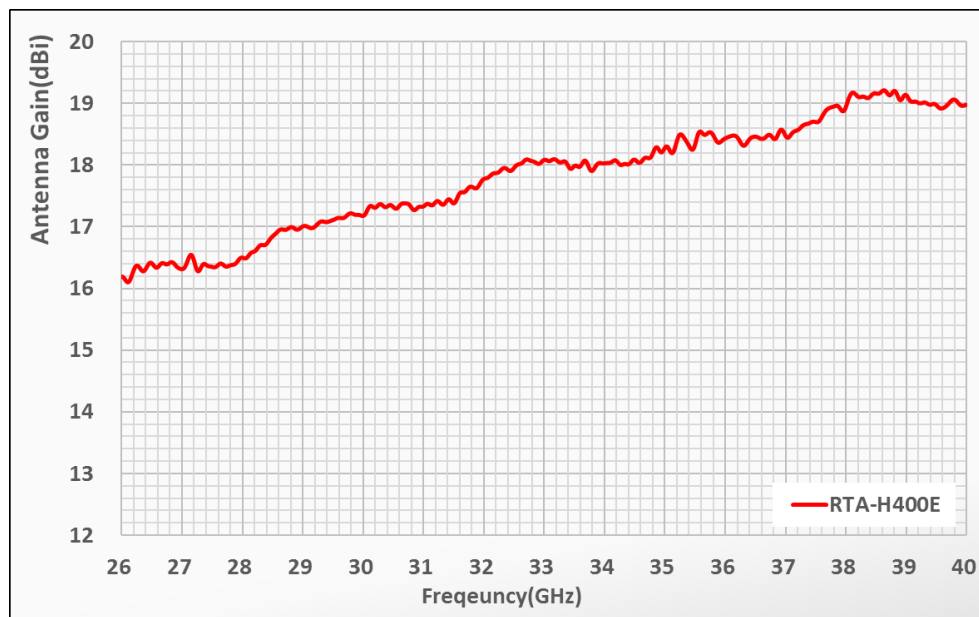
## 6-1 . Optional antenna

**Product Features**

- Rectangular Waveguide Interface
- 26.5GHz to 40 GHz
- Minimum 16dBi Gain

**RTA-H400K**

**Specification**

Parameter	Value	Unit	Description
Frequency	26.5 ~ 40.0	GHz	
Dimension	32.0mm(W) X 58.0mm(D) X 24.0mm (H)	mm	
Interface	WR-28, UG-599/U Square Cover Flange	-	
HPBW	E - Plane: 27.7° H - Plane: 26.0°	degree	Simulated results @ 28GHz

**Measurement Data**


## 6-2 . Optional antenna #2

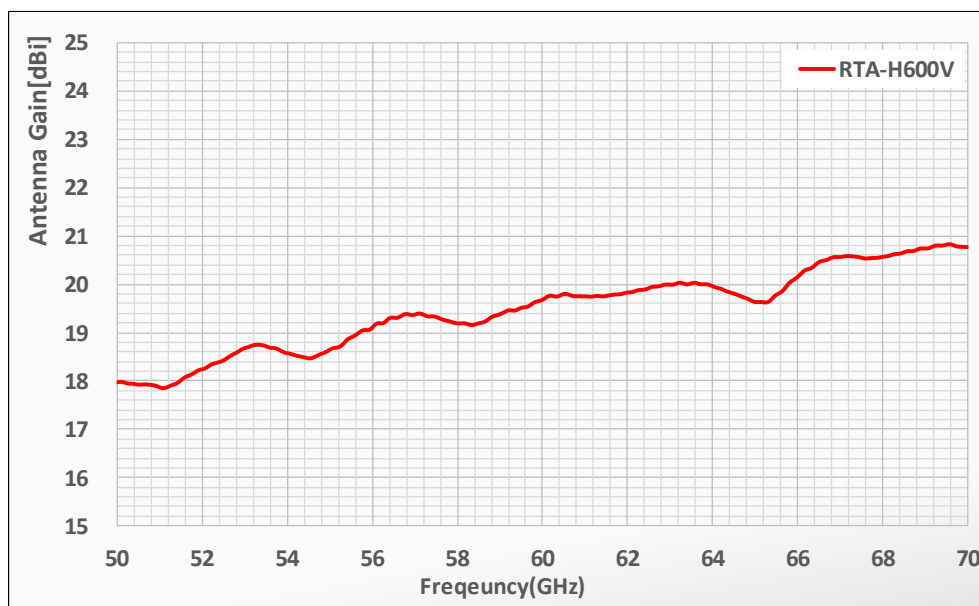
**Product Features**

- 1.85mm(V) Connector Interface
- 50GHz to 65GHz
- Minimum 17dBi Gain

**RTA-H600V**

**Specification**

Parameter	Value	Unit	Description
Frequency	50 ~ 65	GHz	
Dimension	23.0mm(W) X 52.0mm(D) X 22.6mm (H)	mm	Included connector
Interface	1.85mm(V) Connector	-	Female
HPBW	E - Plane: 18.7° H - Plane: 17.3°	degree	Simulated results @ 60GHz

**Measurement Data**




***Roottek.co.kr***

*TEL: +82-70-5138-0370*

*FAX: +82-31-927-9201*

*e-mail: roottek@roottek.co.kr*

\*\* Specification of chamber can be updated without prior notice \*\*