

RF TEST ENCLOSURE

RT-1330

DATA SHEET



1. Main features

RT-1330 RF Test Enclosure supports broad band testing frequency and provides optimal testing condition to test mobile device.

- Outstanding durability and simple structure.
- Convenient use and maintenance.
- Supports 2x I/O interface panel(IA-series)
- High performance RF absorber on inside walls
- High shielding effectiveness using double layer gasket structure.
- 19" Rack Mountable
- Fixture mounting holes in the top and side panels

2 . Product specification

	W (mm)	D (mm)	H (mm)
Outer Size (Closed)	434	437	294
Outer Size (Opened)	500	763	294
Inner Size	368	321	215
Weight	Approx. 18.5 Kg		
Packing Size	530	585	385
Packing Weight	Approx. 22.5 Kg		
Interface	I/O Panel : IA-Series		

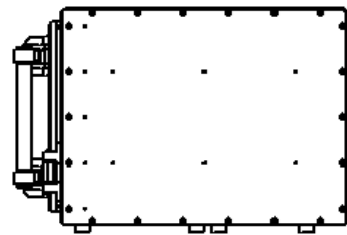
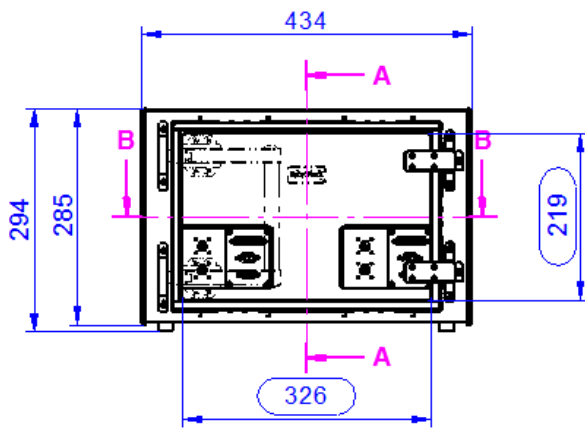
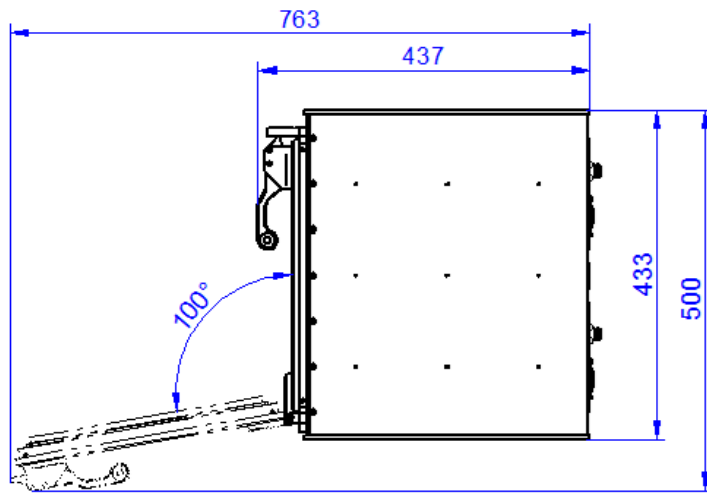
Shielding effectiveness

Frequency – Unit : MHz	Shielding effectiveness – Unit : dB
100-3000	>80
3000-6000	>70
6000-18000 (optional)	>70

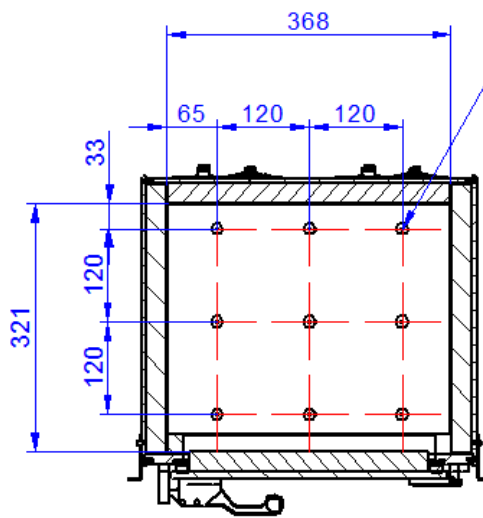
The shielding effectiveness in the above is measured when the blank I/O panel is attached.

3. Dimensions

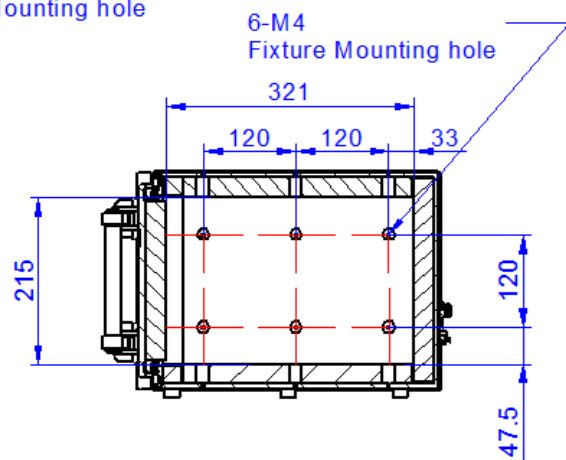
Outside Dimensions



Inside Dimensions



SECTION B-B



SECTION A-A

Roottek.co.kr

TEL: +82-70-5138-0370

FAX: +82-31-927-9201

e-mail: roottek@roottek.co.kr

**** Specification of chamber can be updated without prior notice ****