

RF TEST ENCLOSURE

RT-2124

DATA SHEET



1. Main Features

RT-2124 RF Test Enclosure supports broad band testing frequency and provides optimal testing condition to test mobile device.

- Outstanding durability and simple structure
- Convenient use and maintenance
- Supports an I/O interface panel to apply various interface (IB-series)
- High performance RF absorber
- High shielding effectiveness using double layer gasket structure.
- Fixture mounting holes in the Bottom Plate,

2. Product Specifications

	W (mm)	D (mm)	H (mm)
Outer Size (Closed)	410	347	252
Outer Size (Opened)	410	445	467
Inner Size	333	288	174
Weight	Approx. 11 Kg		
Packing Size	530	450	330
Packing Weight	Approx. 13 Kg		
Interface	I/O Panel : IB-Series		

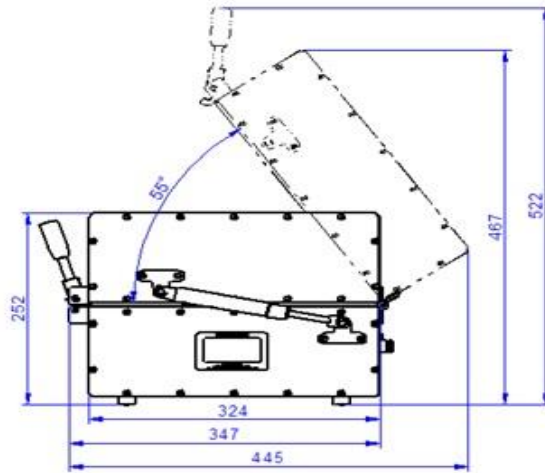
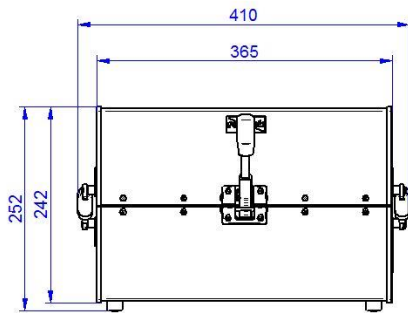
Shielding Effectiveness

Frequency – Unit : MHz	Shielding effectiveness – Unit : dB
100-3000	> 80
3000-6000	> 70
6000-18000 (optional)	> 70

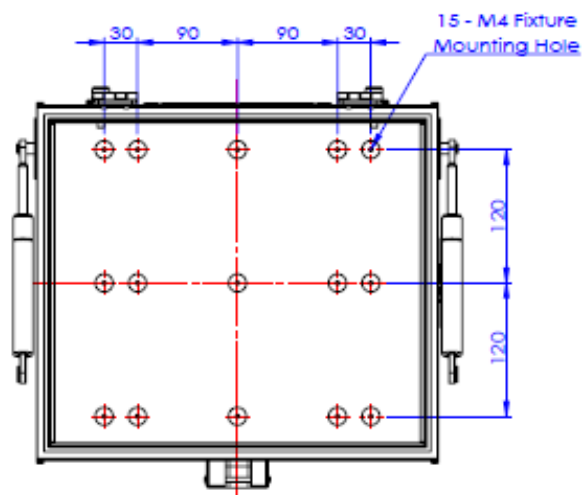
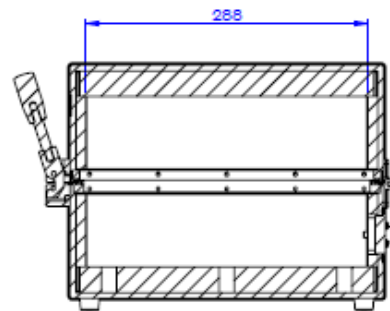
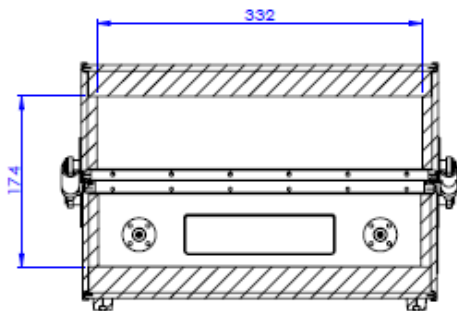
The shielding effectiveness in the above is measured when the blank I/O panel is attached.

3. Dimensions

Outside Dimensions



Inside Dimensions



Roottek.co.kr

TEL: +82-70-5138-0370

FAX : +82-31-927-9201

e-mail : roottek@roottek.co.kr

** Specification of chamber can be updated without prior notice **