

# RF TEST ENCLOSURE

## RT-2340

### DATA SHEET



## 1. Main features

RT-2340 RF Test Enclosure supports broad band testing frequency and provides optimal testing condition to test mobile device.

- Outstanding durability
- Convenient use and maintenance.
- Supports 2x I/O interface panel (IA-series)
- High performance RF absorber on inside walls
- High shielding effectiveness using double layer gasket structure.
- Reliable test result and repeatability
- Fixture mounting holes in the top, bottom and side walls

## 2 . Product specification

	W (mm)	D (mm)	H (mm)
Outer Size (Closed)	892	862	613
Outer Size (Opened)	911	1449	613
Inner Size	786	711	502
Weight	Approx. 69 Kg		
Packing Size	1040	1030	760
Packing Weight	Approx. 83 Kg		
Interface	I/O Panel : IA-Series		

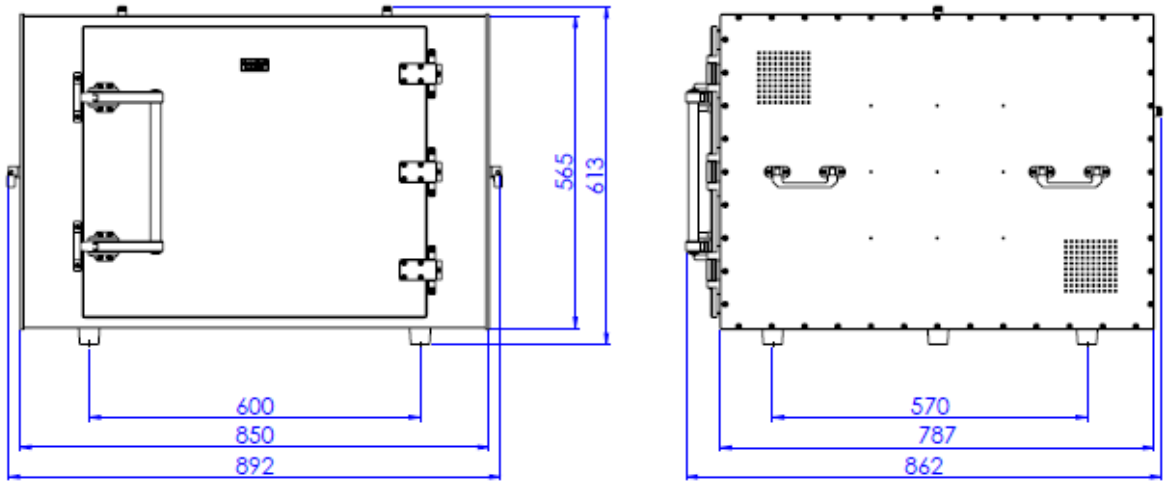
### Shielding effectiveness

Frequency – Unit : MHz	Shielding effectiveness – Unit : dB
100-3000	>80
3000-6000	>70
6000-18000 (optional)	>70

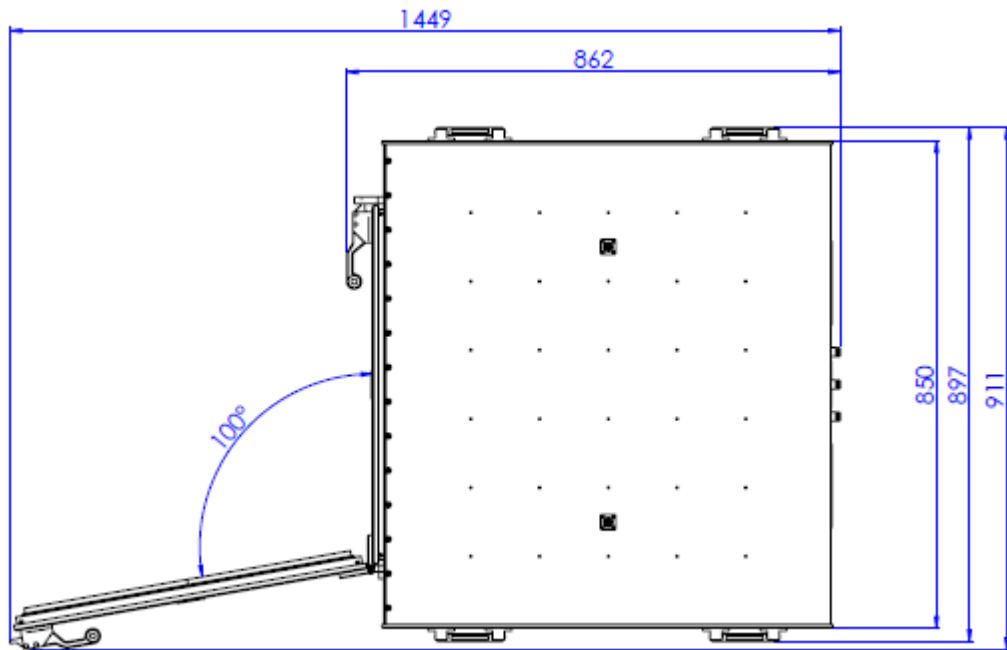
\*The shielding effectiveness in the above is measured when the blank I/O panel is attached.\*

### 3. Dimensions

Outside Dimensions

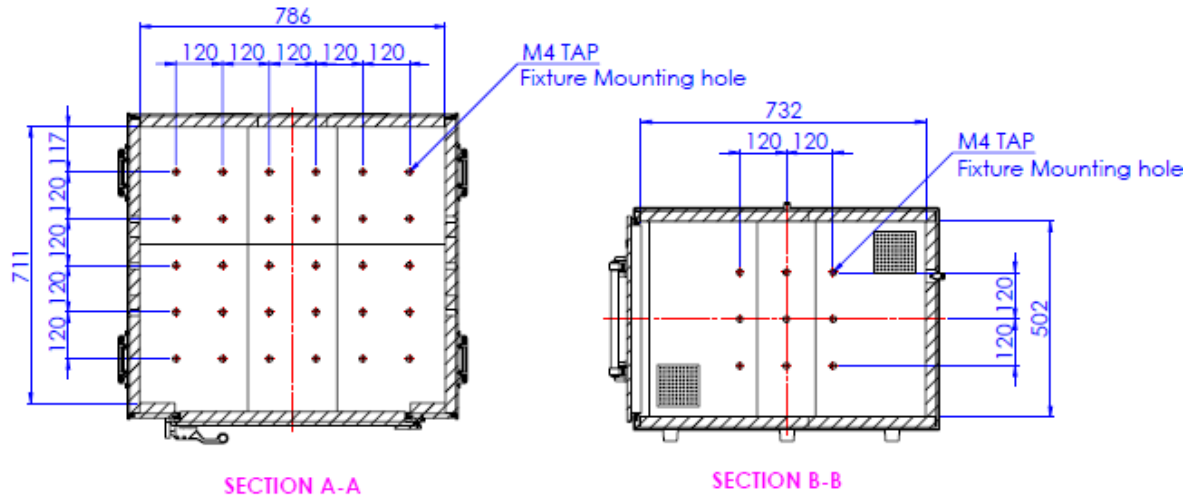


CLOSED



OPENED

Inside Dimensions



***Roottek.co.kr***

*TEL: +82-70-5138-0370*

*FAX: +82-31-927-9201*

*e-mail: roottek@roottek.co.kr*

\*\* Specification of chamber can be updated without prior notice \*\*